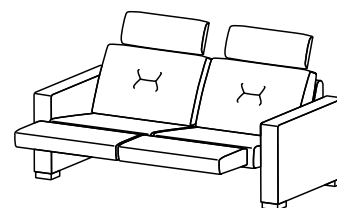
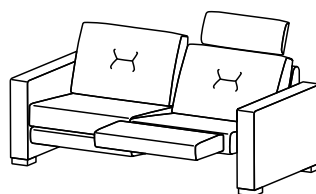
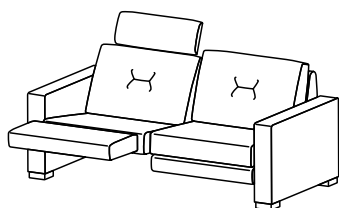
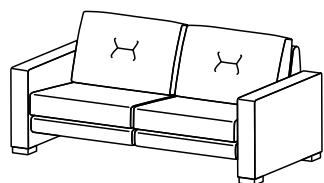


2378 TAVI

Operating and Assembly Instructions

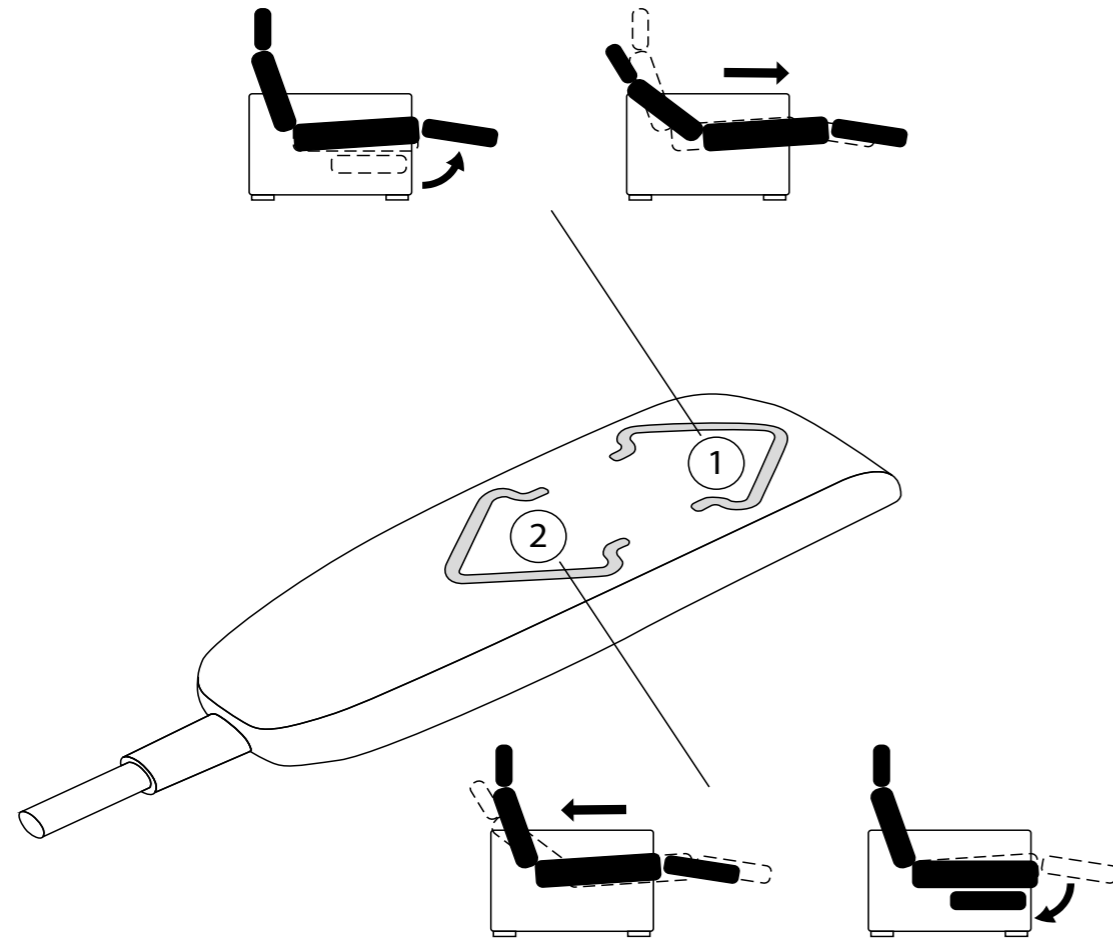
10/2023



2378 TAVI

Operating instructions

Configuration of the manual button (only for electric versions)



The first time you press and hold down button 1, the footrest extends and the seat unit moves into the TV position. When button 1 is pressed again, the sofa continues to move into the sleep position. Here the seat extends further forward and the back lowers down.

If you want the seat unit to return to its original position, press and hold down button 2.

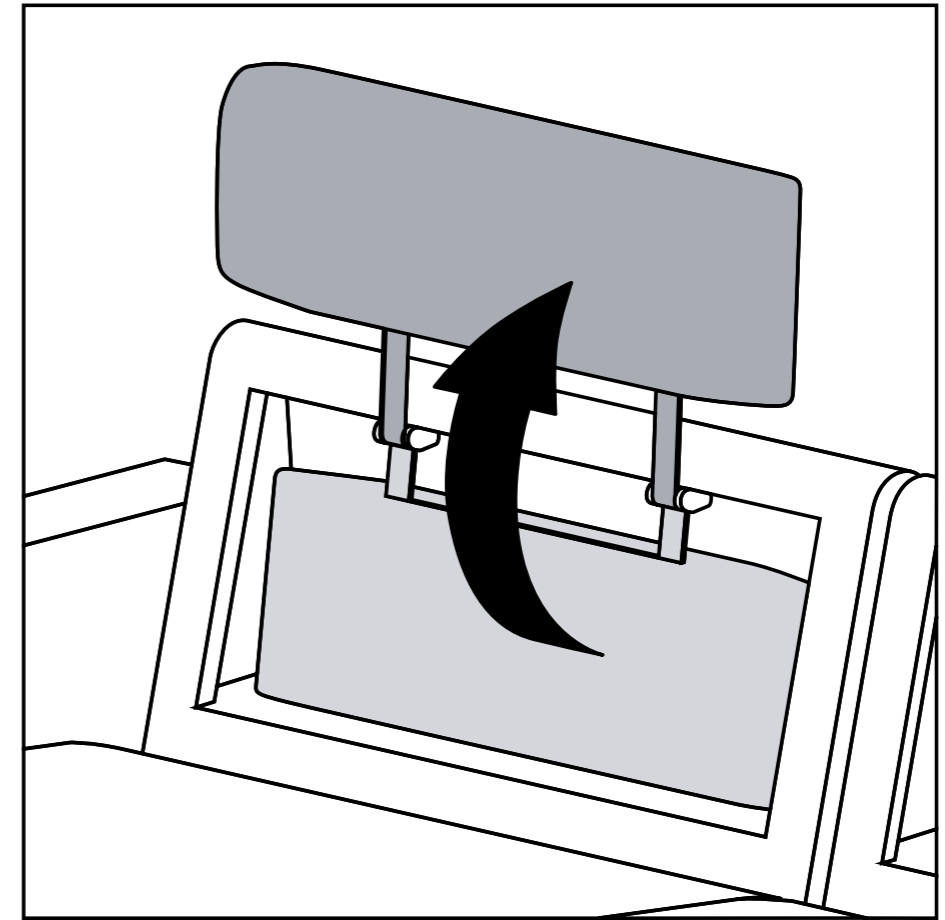
Note:

Keep pressing buttons 1 and 2 down until the sofa has completed its adjustment process.

2378 TAVI

Operating instructions

Headrest



If your sofa includes a headrest, you will find it behind the back cushion and can fold it out manually. You can adjust the position of the cushion by moving it up and down.

2378 TAVI

Operating instructions

Intended use

Spare parts / Accessories

The spare parts and accessories are coordinated with the features of our sofa, and have undergone functional and safety tests.

We recommend that you purchase original spare parts and original accessories exclusively from us. This ensures a long service life for the sofa.

Note:

The use of spare parts and/or accessories that do not fit properly or are of inferior quality may cause damages to your sofa that are not covered by the warranty or guarantee.

Safety instructions

- Children, and also persons who have physical, sensory, mental or intellectual impairments and/or inadequate knowledge, may only use the functional sofa if they are supervised or have been instructed on how to use the sofa safely and have understood the risks involved.
- Children are not allowed to play with the sofa.
- When operating the adjustment function, it is important to ensure that people, parts of the body, objects and animals don't get stuck in between the moving parts. Before operating the sofa, make sure that there isn't anything under the seat.

Proper use

- Only use the power adaptor included in the delivery to operate the functional sofa.
- When folded out, the leg support must not be used to lift functional sofa.
- The back and leg support components are not suitable seat surfaces. Maximum load 15 kg.
- The functional sofa is not suitable for use in damp rooms or outdoor areas.
- The adjustment function is not suitable for a continuous operation (when the motor is moving without interruption).
- The electrical supply cable and the power adaptor must not be crushed, bent or put under tensile stress.
- The power adaptor must not be covered by objects or textiles (curtains, carpets) as this may lead to it heating up. Risk of fire!
- Disconnect the sofa from the charging cable and mains power supply immediately if you notice any disturbances, visible damage to the components, unusual sounds, smells or smoke. Contact our customer service team!
- Liquids must not come into contact with the electrical components. Risk of electric shock! If liquid is accidentally spilled on the parts, disconnect the power pack immediately.
- Do not try to rectify the fault yourself.
- Only our customer service team or an authorised specialist company may carry out repairs. You are not permitted to convert or alter the original components and original electrical parts.

2378 TAVI

Operating instructions

Notes on how the power adaptor works

The LED indicators confirm whether the power adaptor is connected to the power supply. If it lights up, then the power adaptor is live.



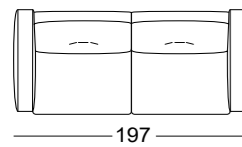
Thanks to the built-in self-protection mechanism, the electronics of the sofa are protected in the event of an overload. The sofa is functional again after a few seconds and responds to switch commands.

2378 TAVI

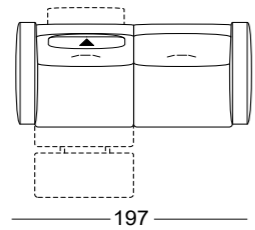
Operating instructions

Type overview of functional sofa

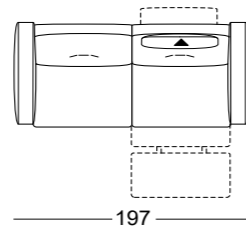
Type 270
2-seater sofa wide



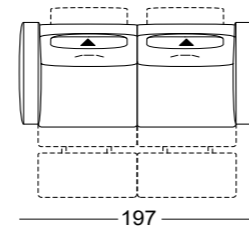
Type 275
2-seater sofa wide,
left electrically adjustable



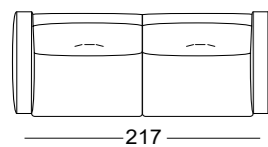
Type 276
Type 276 2-seater sofa wide,
right electrically adjustable



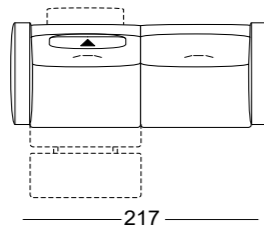
Type 277
2-seater sofa wide,
left+right electrically adjustable



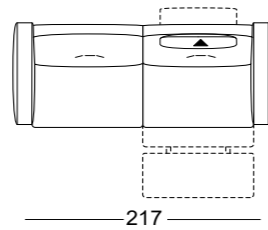
Type 330
3-seater sofa



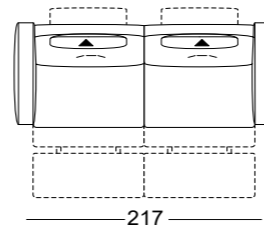
Type 335
3-seater sofa,
left electrically adjustable



Type 336
3-seater sofa,
right electrically adjustable



Type 337
3-seater sofa,
left+right electrically adjustable



Specifications

Weight:	117 to 170 kg
Power:	230V/50Hz
Connection fitting:	Europlug
Carrying capacity per seat:	110 kg
Load for leg rest:	max. 15kg

Customer Service

If you have any questions, please do not hesitate to contact your stockist or our customer service team.

Tel.: +41 56 265 88 88

Email: kundendienst@weibelweibel.ch

2378 TAVI

Assembly instructions

Assembly

Tools required:

Ratchet or cordless screwdriver with socket wrench SW 13



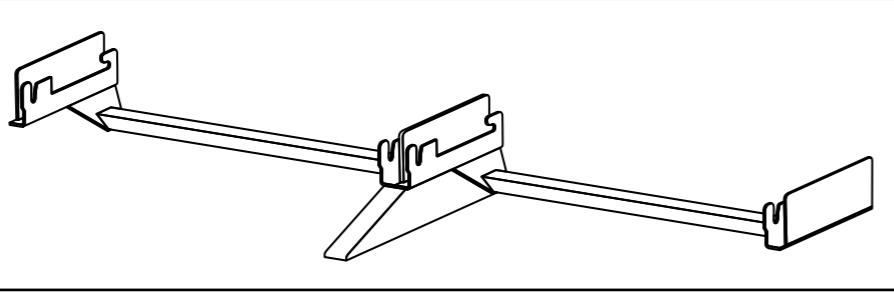
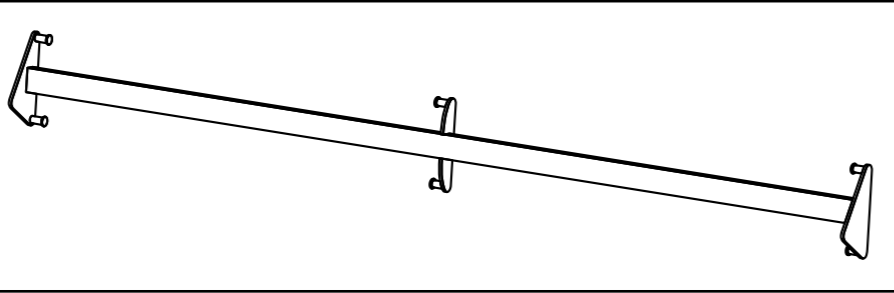
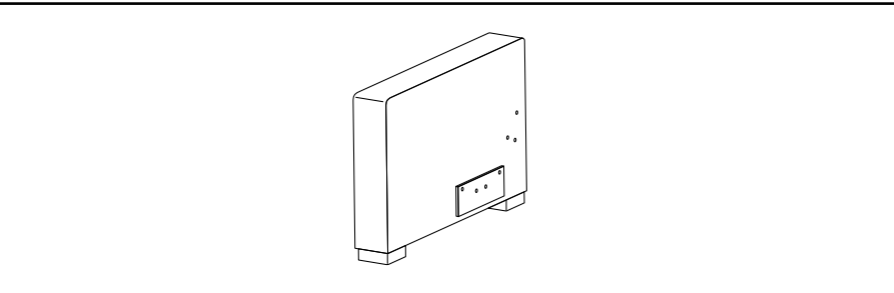
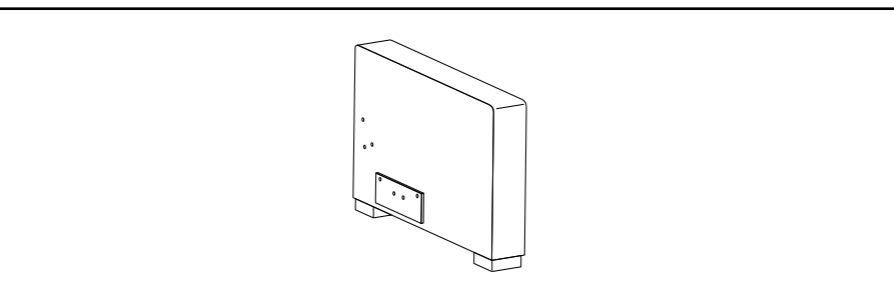
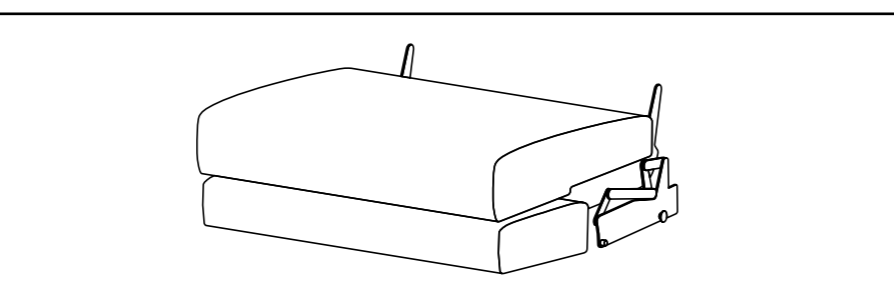
Note:

Two people are required to assemble the sofa.

2378 TAVI

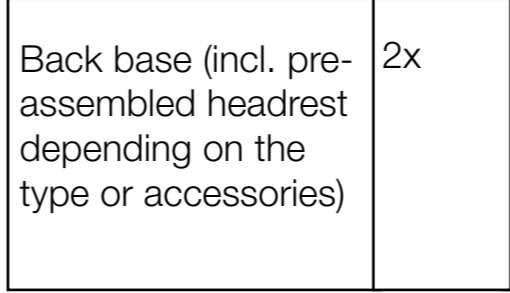
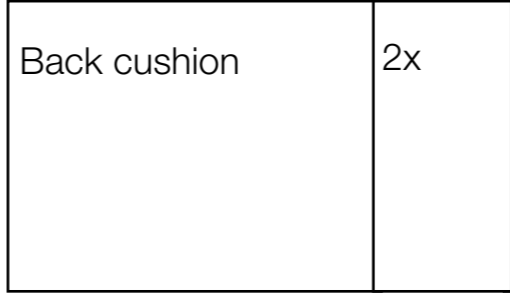
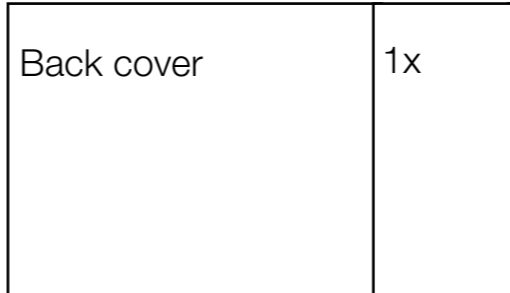
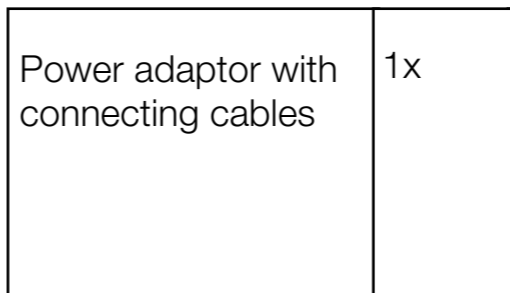
Operating instructions

The following components are included in the delivery:

Seat cross bar	1x	
Back cross bar	1x	
Arm part left with 7 screws M8 x 35 preassembled	1x	
Arm part right with 7 screws M8 x 35 preassembled	1x	
Seat unit, electrically adjustable or without adjustment function	2x	

2378 TAVI

Operating instructions

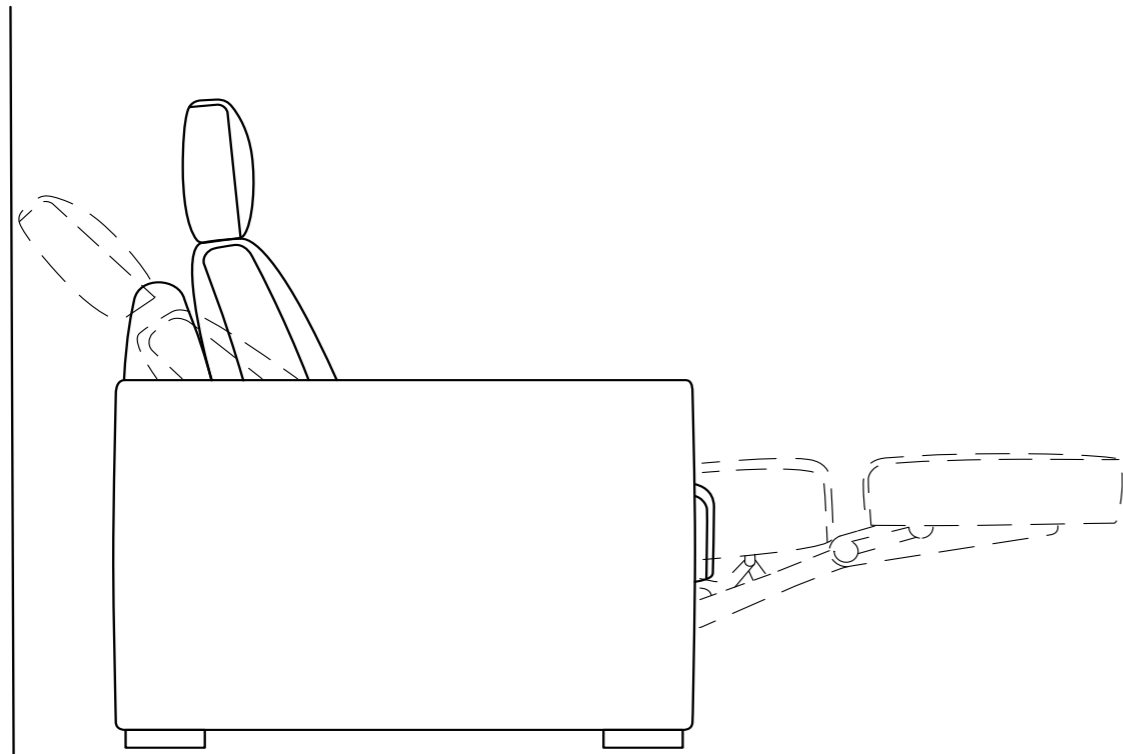
Back base (incl. pre-assembled headrest depending on the type or accessories)	2x	
Back cushion	2x	
Back cover	1x	
Power adaptor with connecting cables	1x	
Glides	8x Ø 50 6x Ø 30	Felt and plastic glides for exchanging and replacing parts

Check that the components of the sofa have been delivered in full and are not damaged before assembling.

2378 TAVI

Assembly instructions

Preparation before use



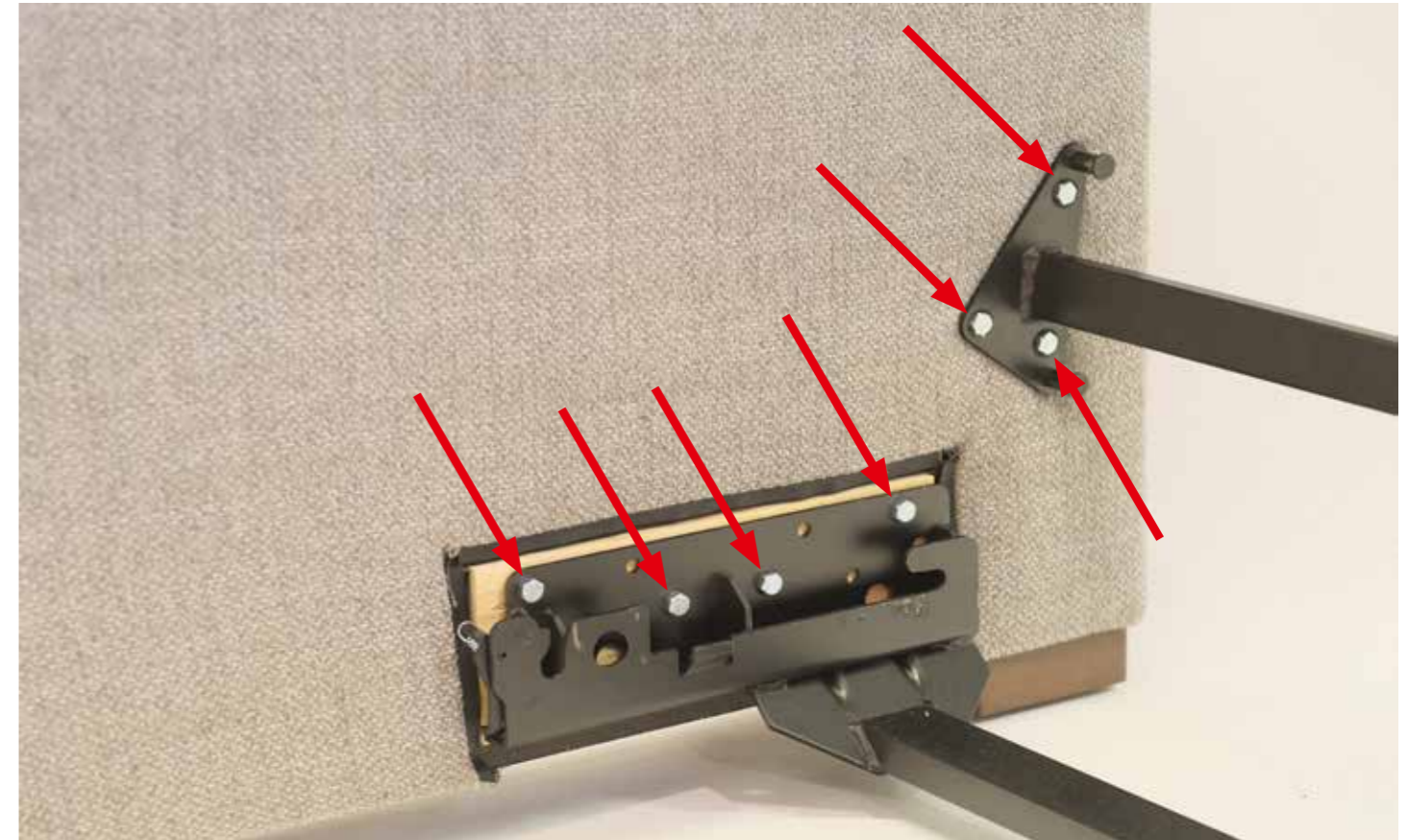
— 25 —

Please ensure the back of the sofa is kept at a minimum distance of 25 cm from adjacent objects or walls, so as to avoid malfunctions and damage to the sofa or furnishings.

2378 TAVI

Assembly instructions

1. Assembling the seat and back cross bars



Position the left arm part in the room and remove the seven hex head screws from the arm part.

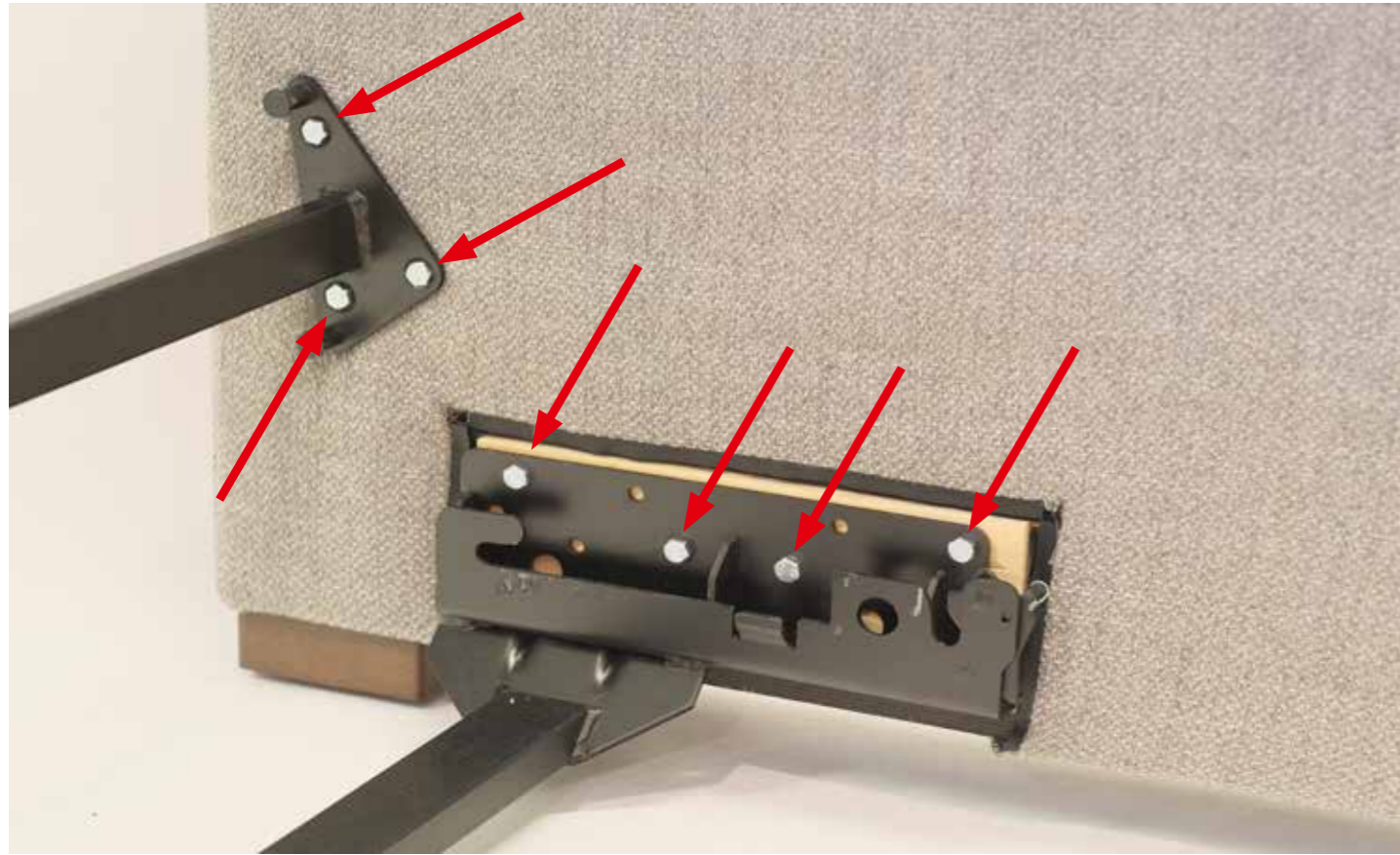
Position the cross bar for the seat on the left arm part with the middle support facing forward. Then screw the seat cross bar on using four hex head screws.

Next, align the back cross bar with the arm part and screw on using three hex head screws.

2378 TAVI

Assembly instructions

2. Assembling the seat and the back cross bars



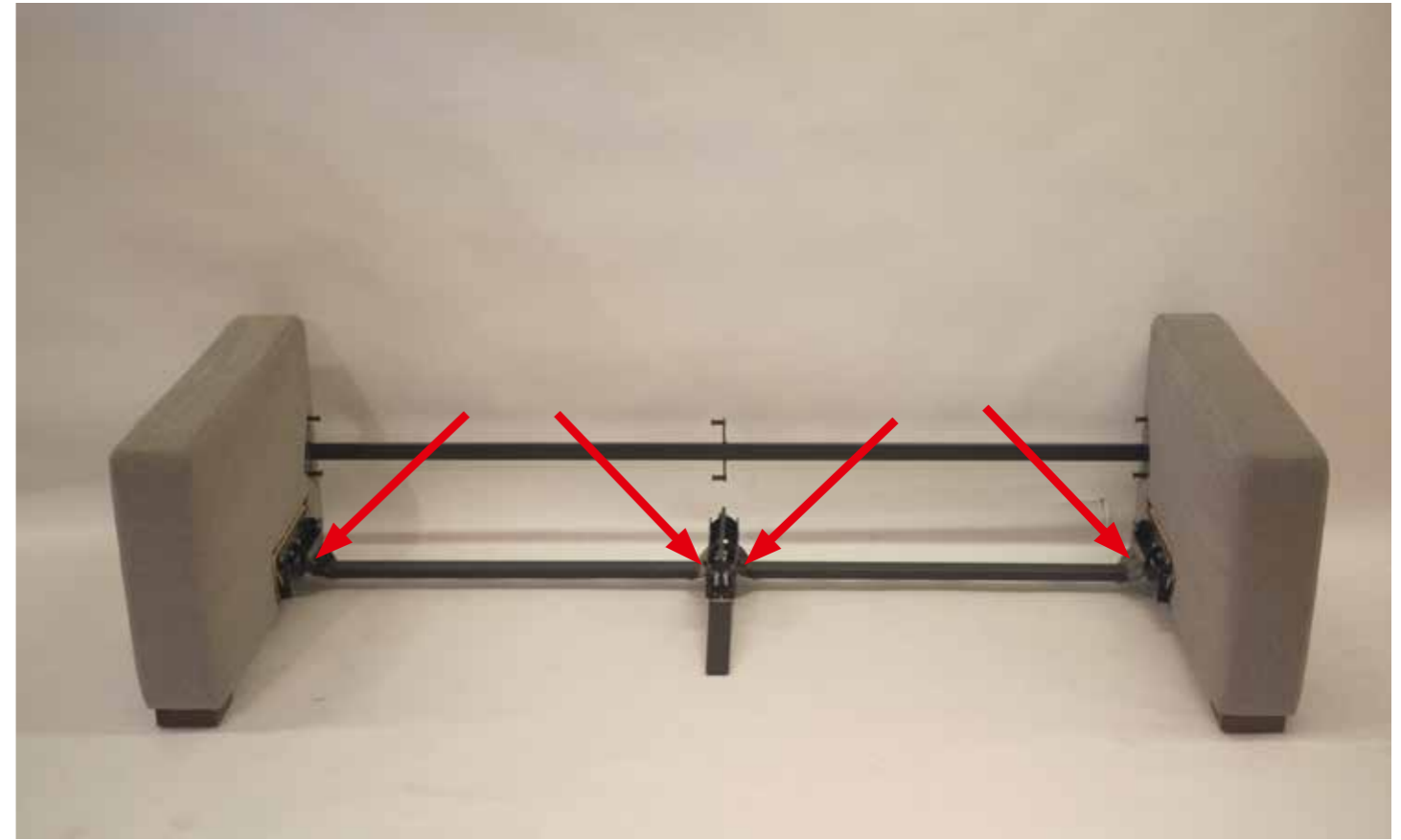
Remove the seven hex head screws from the right arm part.

Position the seat and back cross bars on the arm part and screw on using the hex head screws.

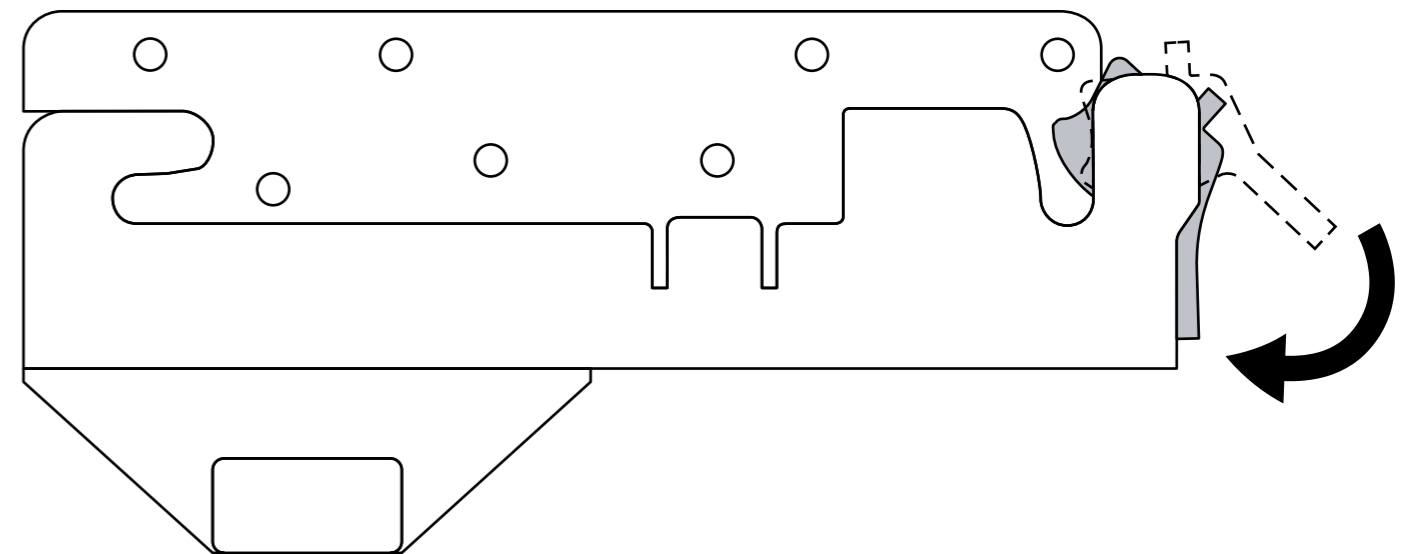
2378 TAVI

Assembly instructions

3. Preparing the seat cross bar



Before mounting the seat units, make sure that the four release levers on the guide rails of the seat cross bar are folded down (see illustration).



2378 TAVI

Assembly instructions

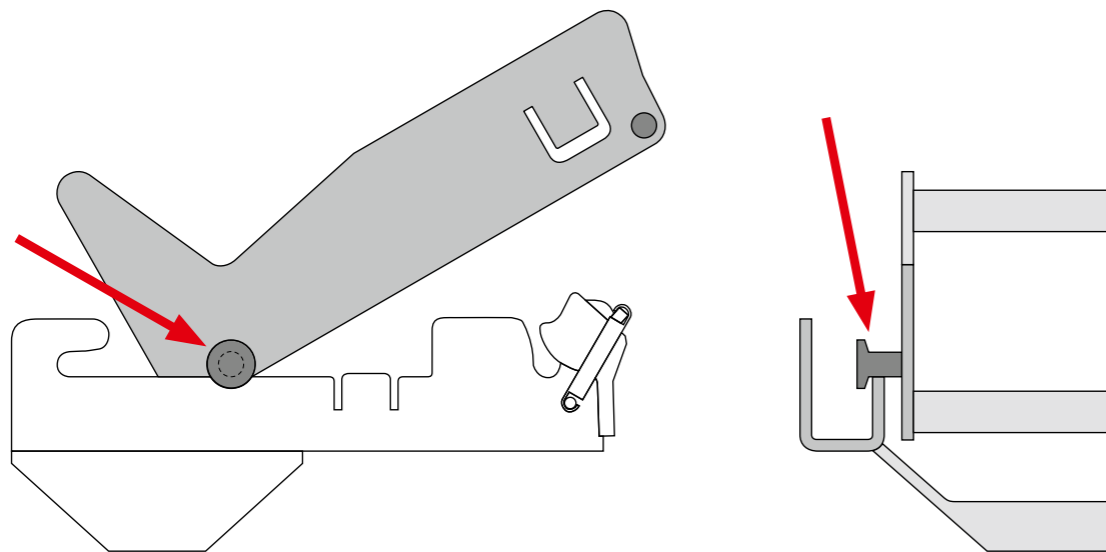
4. Assembling the seat unit



2 people are needed to position the first seat unit in the guide rails of the seat cross bar. The two shoulder bolts must sit inside the two guide rails (see illustration) while the seat unit at the front is still lifted.

Note:

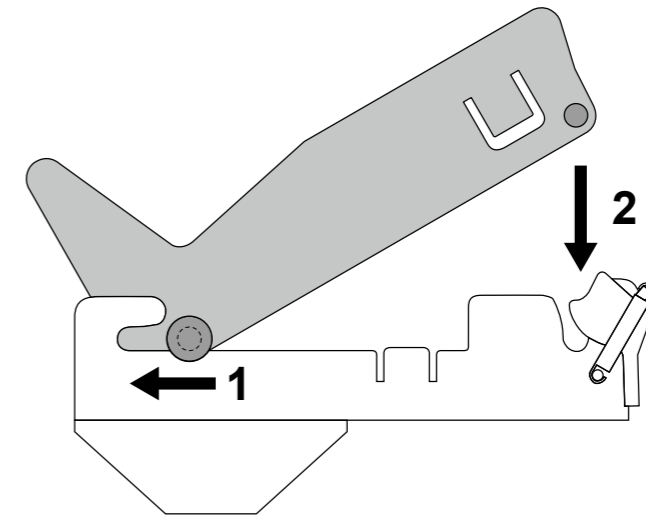
Either a fixed or electrically adjustable seat unit is mounted, depending on the type (see Overview on page 5). Both seat units are mounted on the seat cross bar in the same way



2378 TAVI

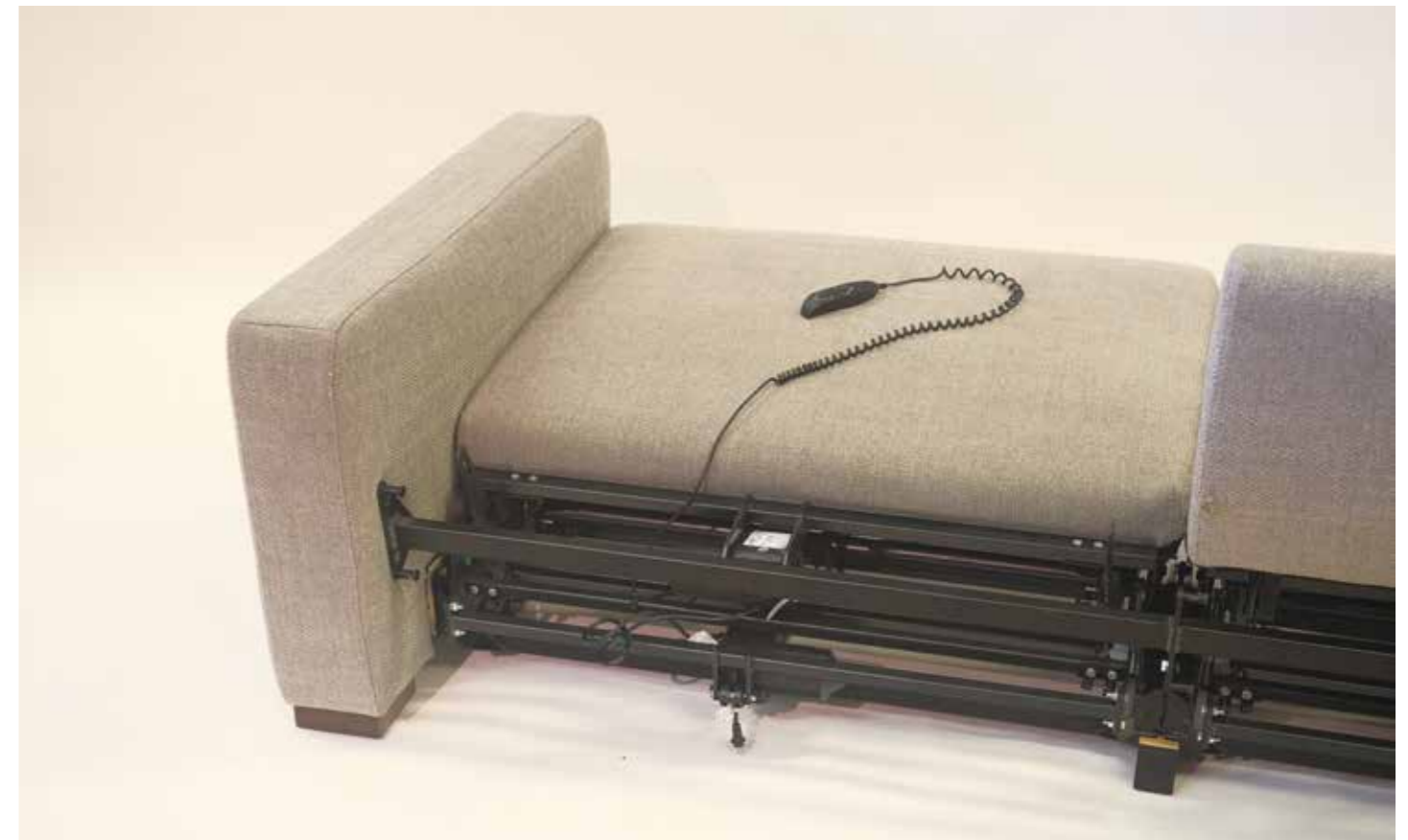
Assembly instructions

5. Assembling the seat unit



Push the seat unit back into the guide rails as far as it will go (1). Then lower the seat unit at the front until you hear the front bolt click into place (2). Repeat steps 5 and 6 for the second seat unit.

6. Manual button (only for electric versions)

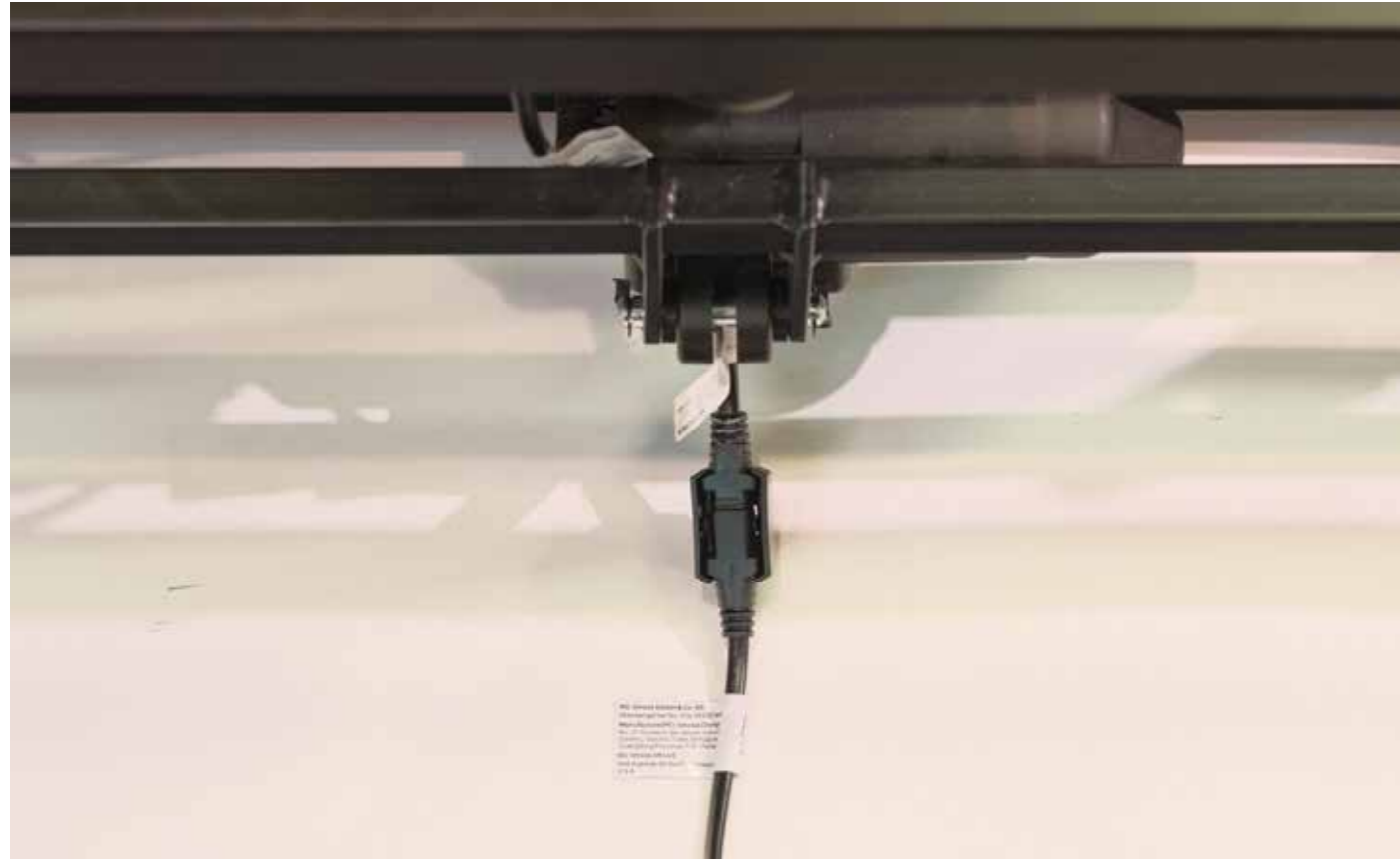


Detach the respective manual buttons from the seat unit and place them on the seat. When routing the cable, make sure it will not get pinched or crushed when the sofa position is being adjusted.

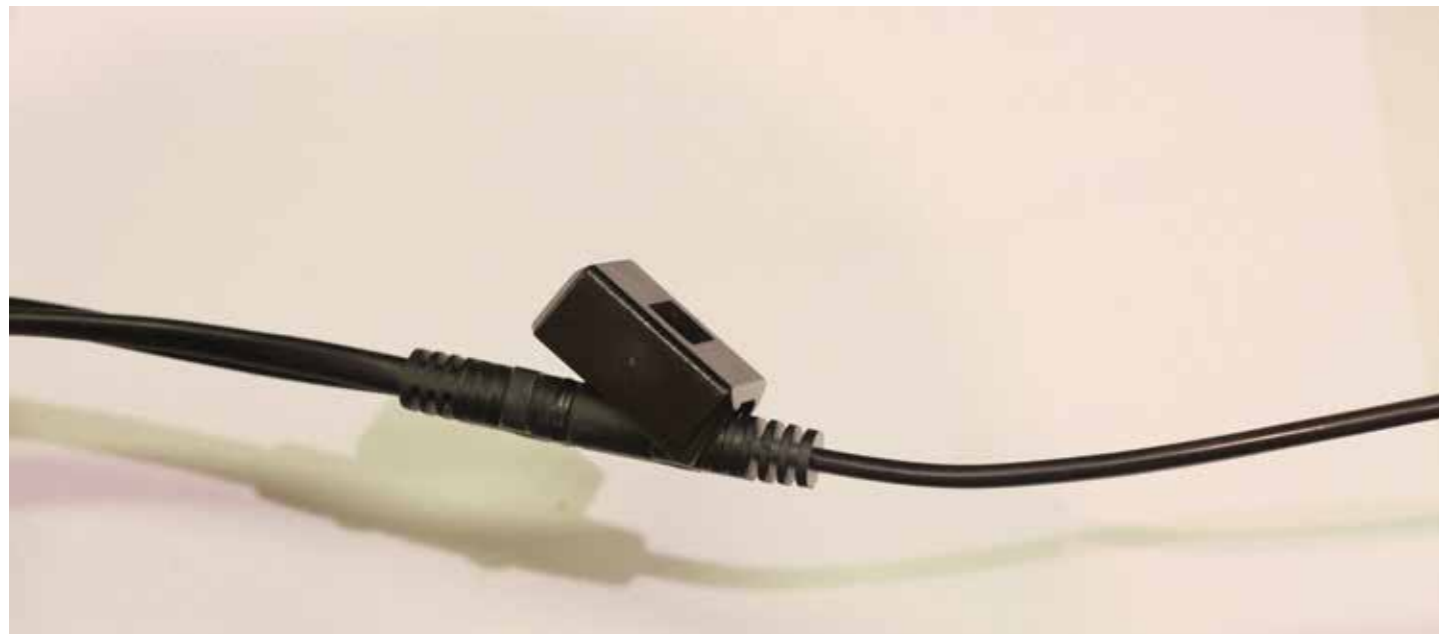
2378 TAVI

Assembly instructions

7. Connecting the power cables (only for electric versions)



Connect the motor connections with the power adaptor cables supplied.



Secure the plug connections with the protective cap. Do not connect the power adaptor to the mains power supply yet.

2378 TAVI

Assembly instructions

8. Assembling the back base



Clip the back base onto the mounts on the seat unit with the locking rails.

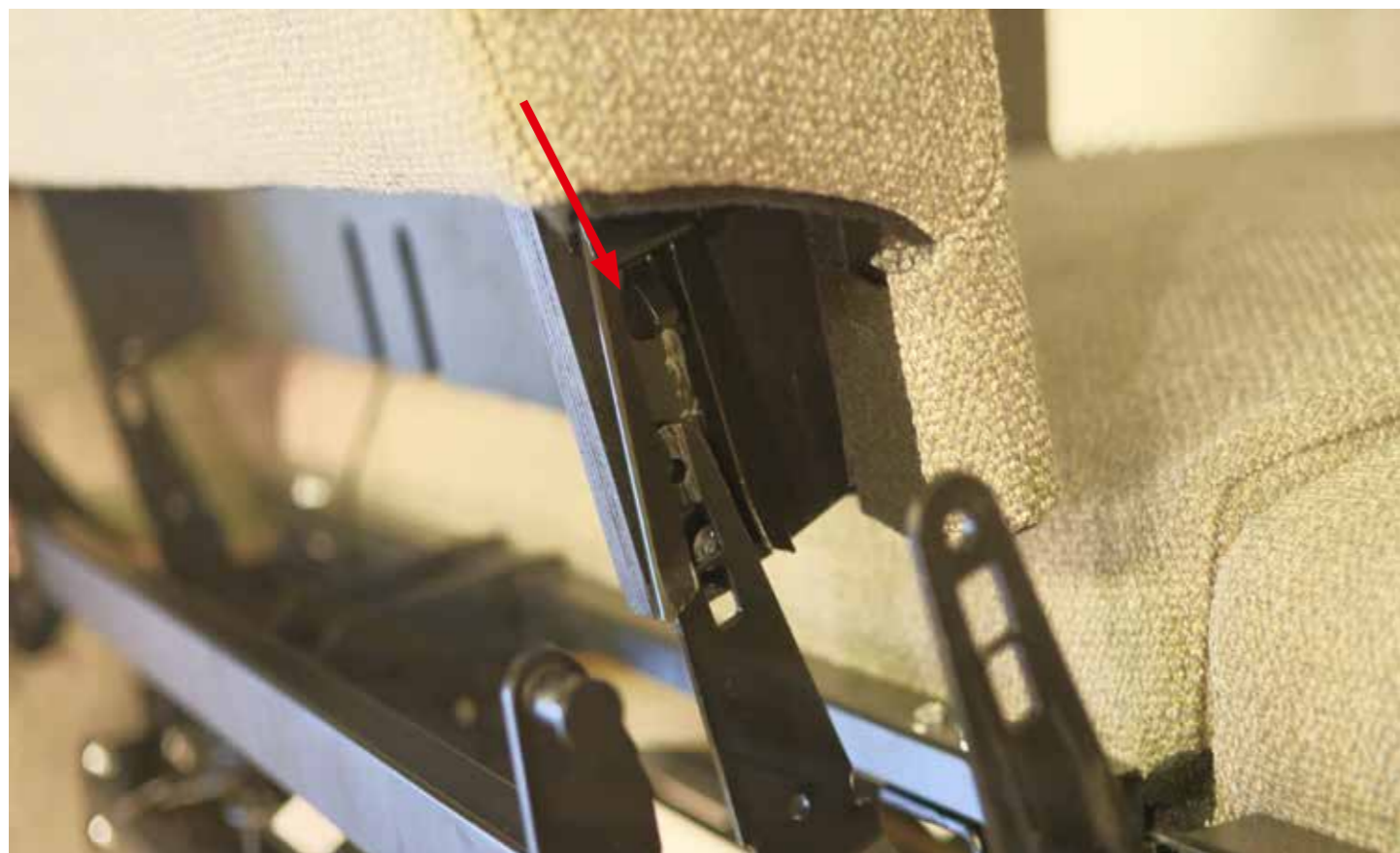
Note:

On adjustable seat units, a back base is always mounted with a headrest. The headrest is optional on fixed seat units.

2378 TAVI

Assembly instructions

9. Assembling the back base



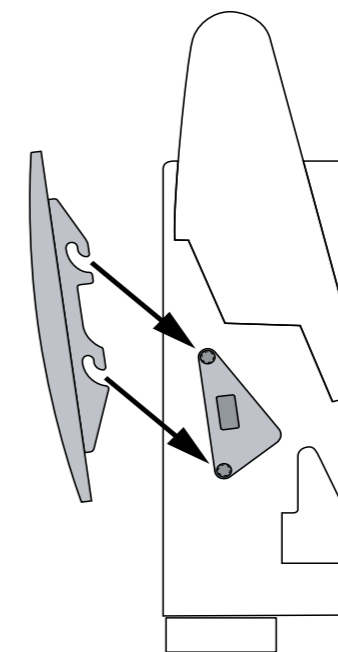
Push the back base down until you hear the locking rails click into place.

Both back bases are mounted in the same way.

2378 TAVI

Assembly instructions

10. Assembling the back tensioning section



Hook the back tensioning section into the back cross bar using the hooks.

11. Initial use



Connect the power adaptor to the mains power supply and check that the sofa works.

2378 TAVI

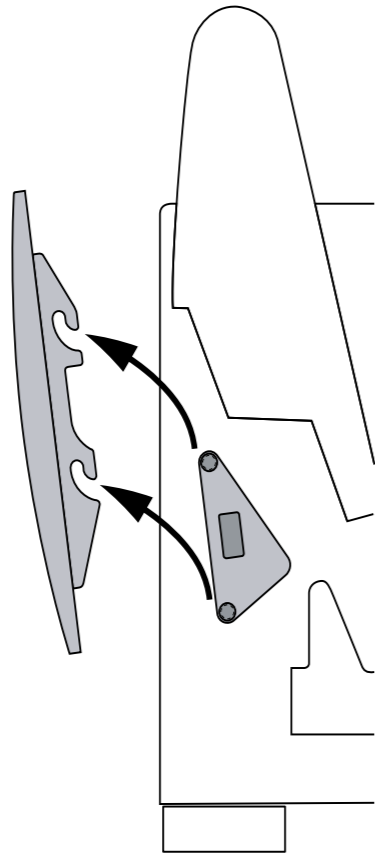
Assembly instructions

Dismantling

Before dismantling:

- Retract the adjustable seat unit so it is fully in and then put it in the sitting position
- Fold the headrests
- Disconnect the power adaptor from the power supply

1. Dismantling the back tensioning section

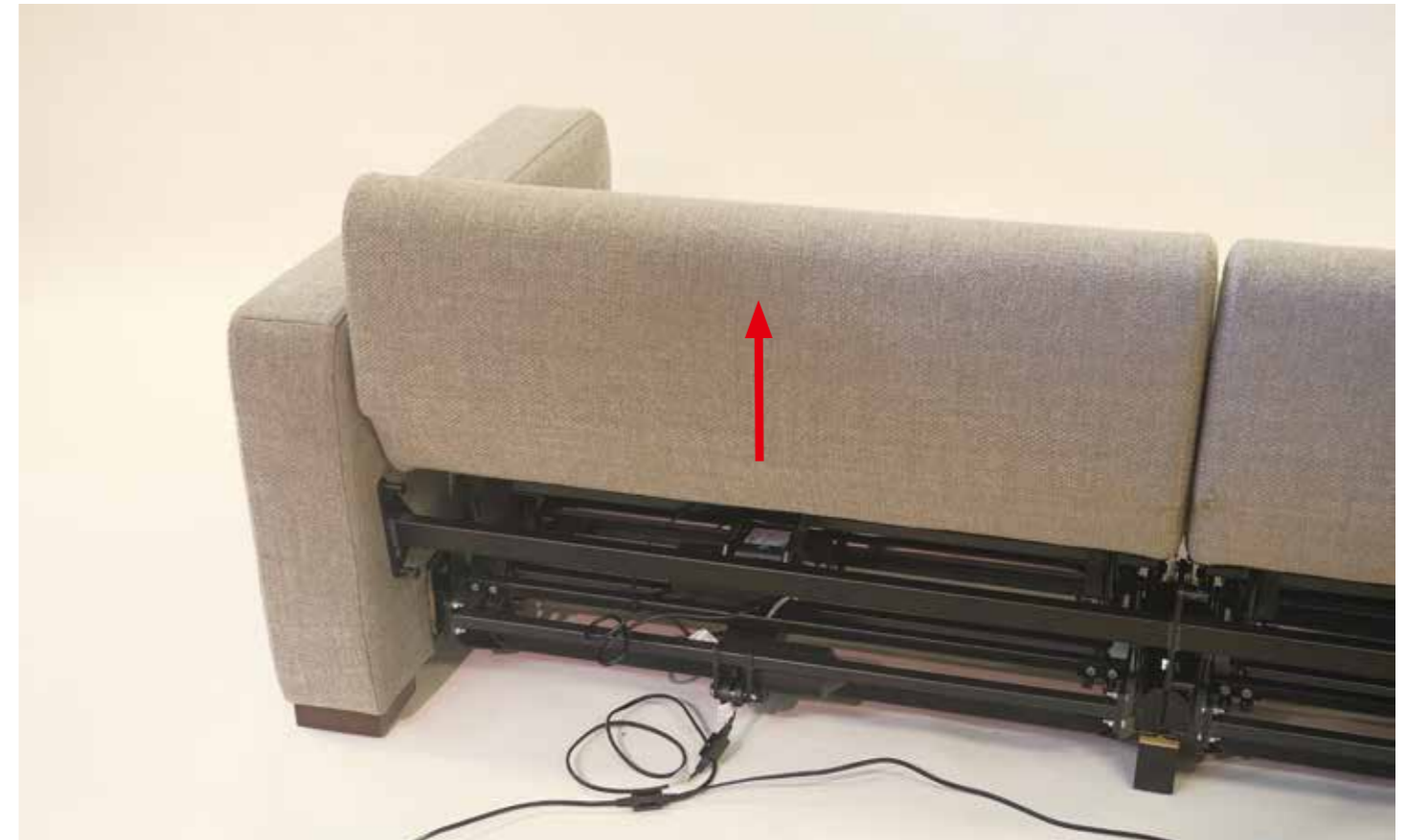


Lift the back tensioning section up out of the back cross bar.

2378 TAVI

Assembly instructions

2. Dismantling the back base



Lift the back base up a little to free it from its clamped position.

2378 TAVI

Assembly instructions

3. Dismantling the back base

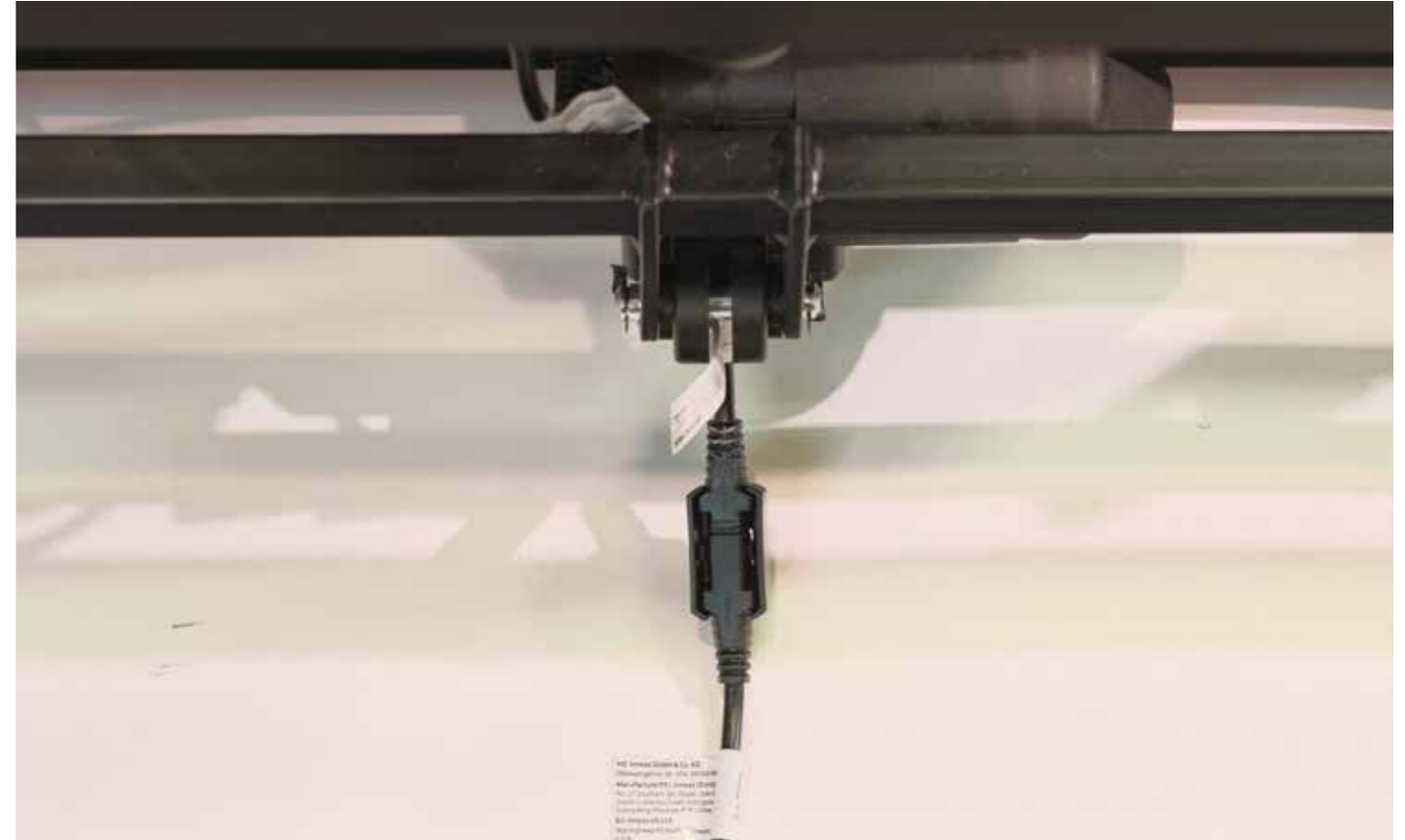


Press the bracket tab on the notched recliner mechanism on both sides of the back base outward, to release the notched hook. The back base can then be lifted out of the locking rails.

2378 TAVI

Assembly instructions

4. Dismantling the seat unit

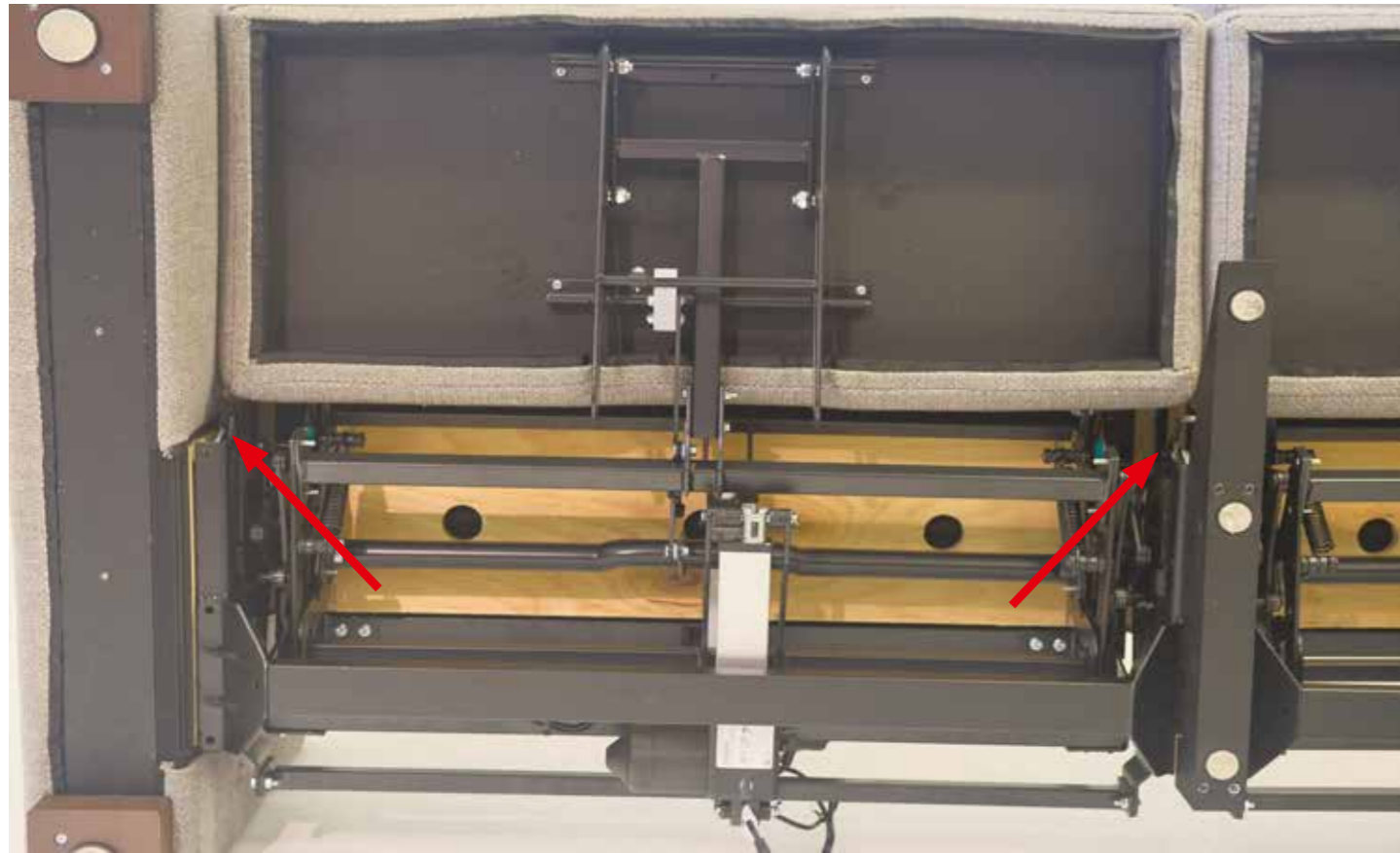


Disconnect the connecting cable from the motor.

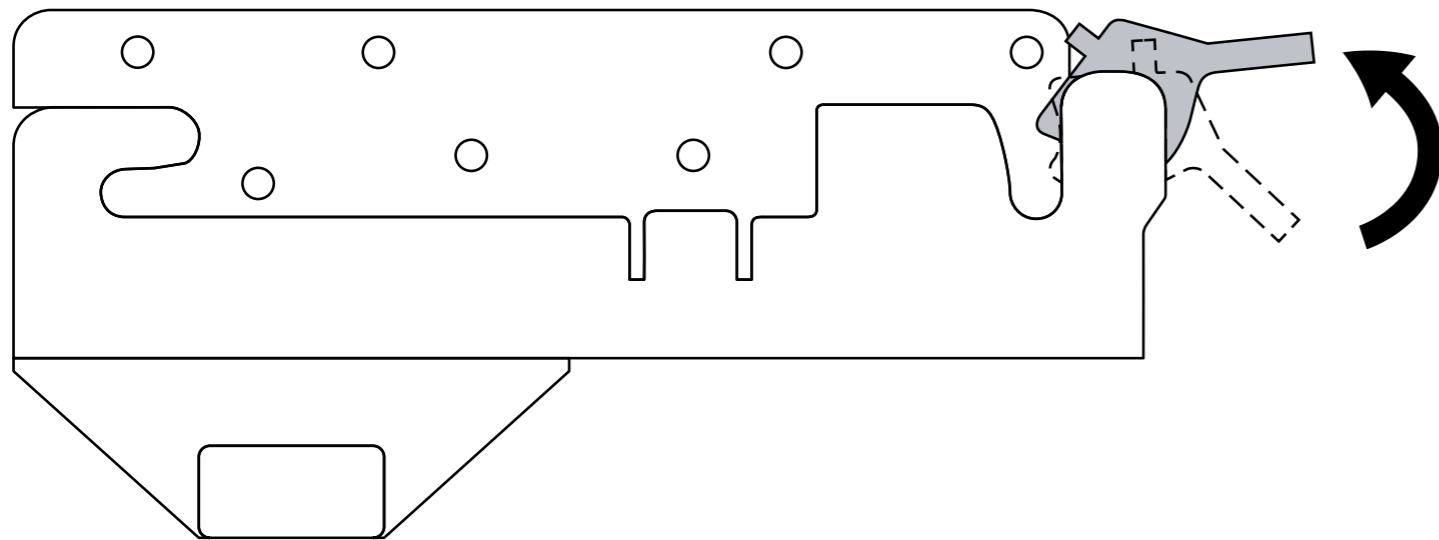
2378 TAVI

Assembly instructions

5. Dismantling the seat unit



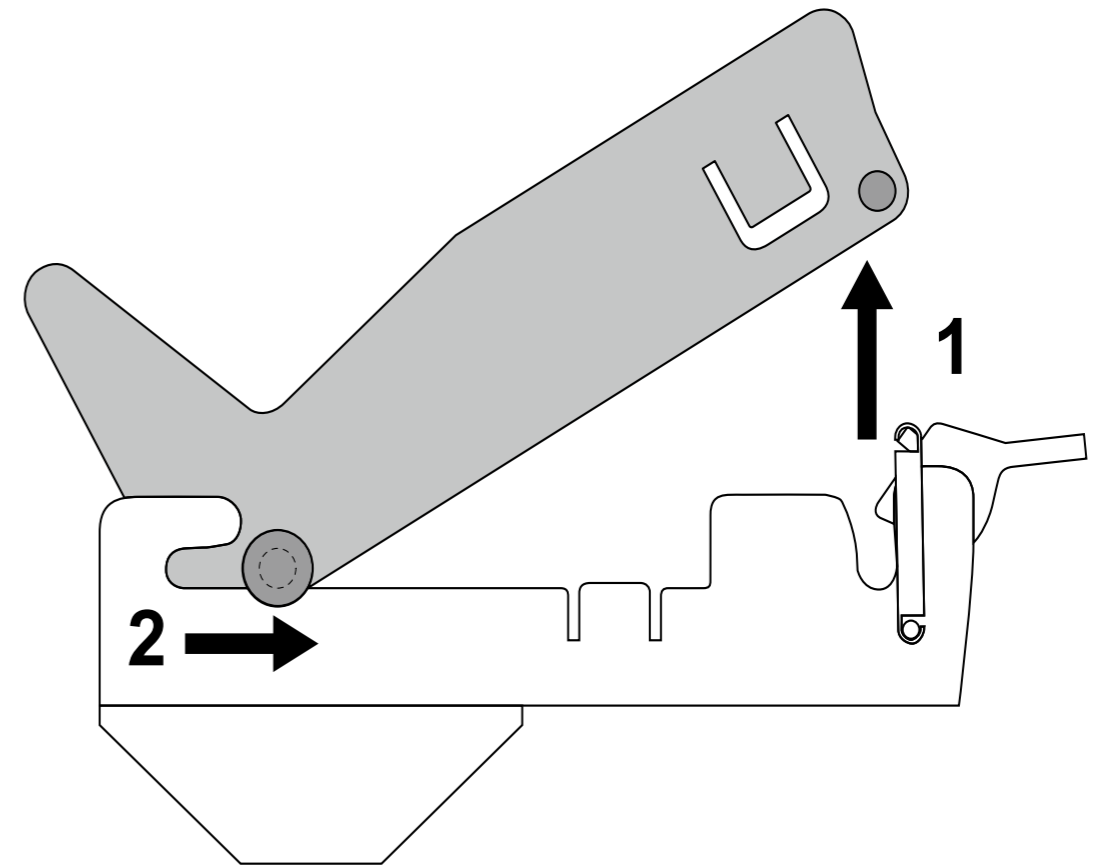
Move the release lever on the seat cross bar on both sides of the seat unit into the horizontal position.



2378 TAVI

Assembly instructions

6. Dismantling the seat unit



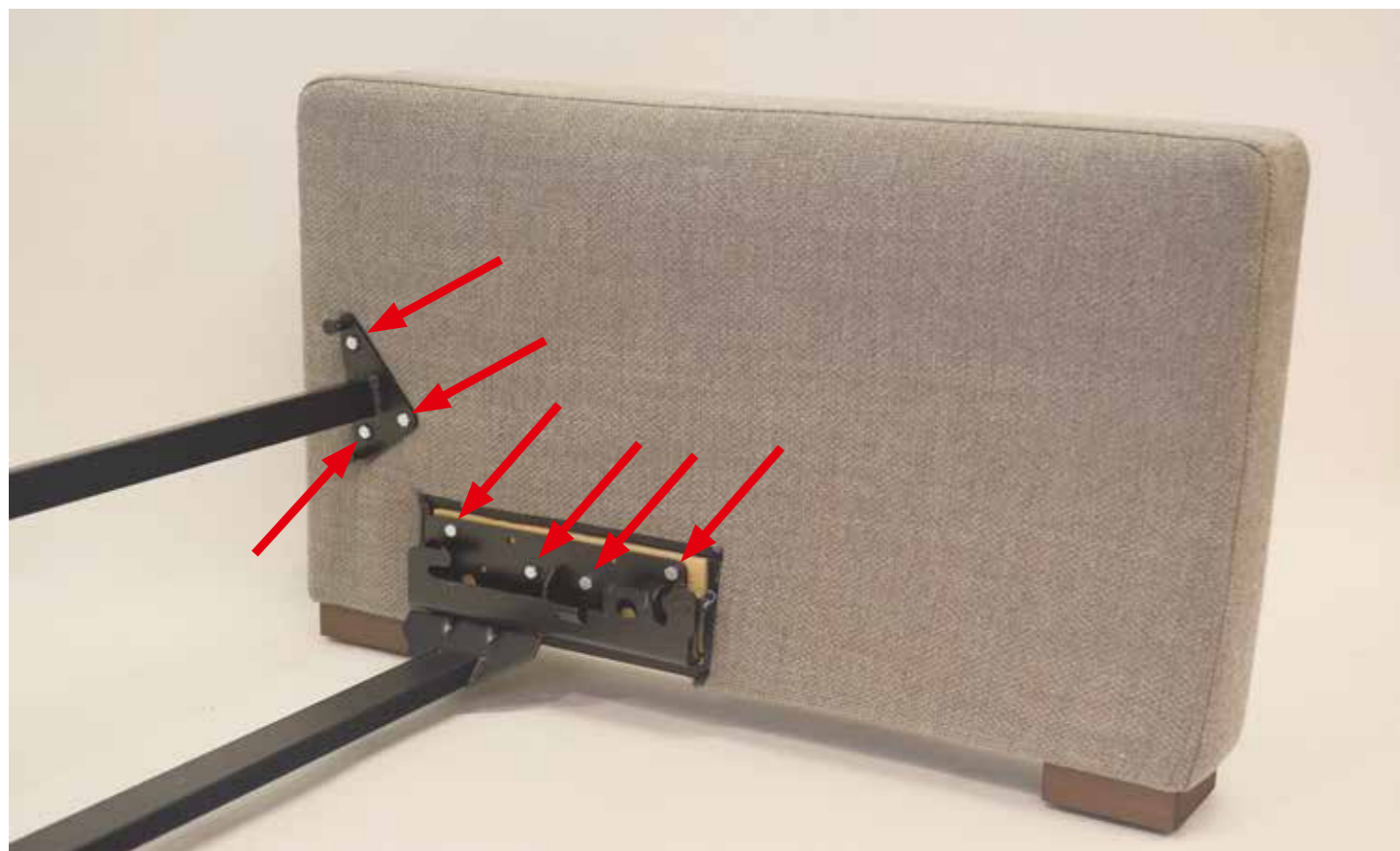
Lift the seat unit at the front and disengage it from the cross bar (1).

Then pull the seat unit forward and lift it out of the guide rails (2).

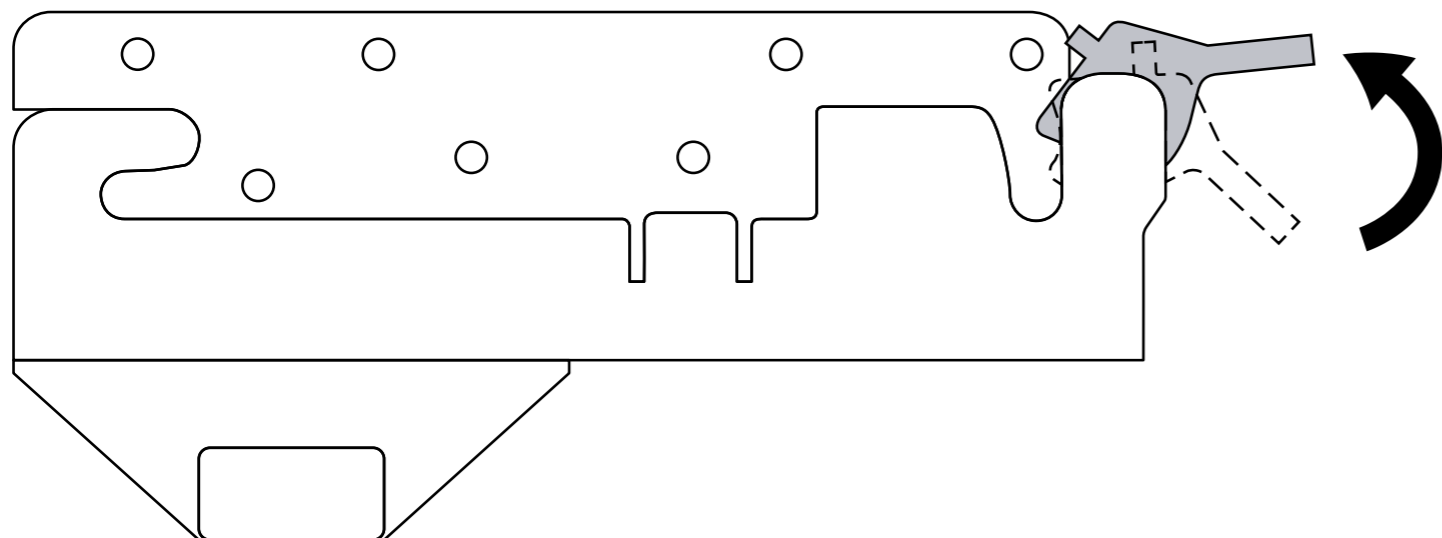
2378 TAVI

Assembly instructions

7. Dismantling the seat and back cross bar



Unscrew the 7 hex head screws M8 x 35 on each arm part, and then disconnect the seat and back cross bar from the arm part.



WEIBELWEIBEL AG
Intertime pure stting
Brühlstrasse 21
5304 Endingen
Schweiz

T +41 (0)56 265 88 88
info@weibelweibel.ch
intertime.ch

Intertime
Switzerland